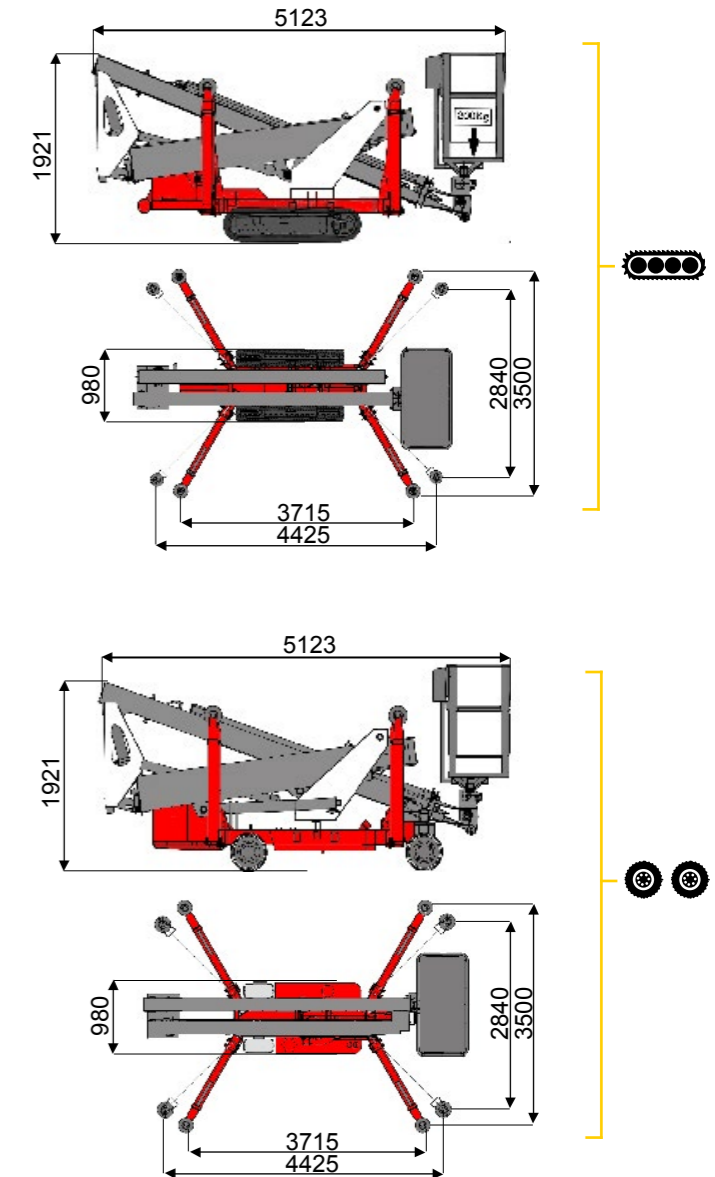
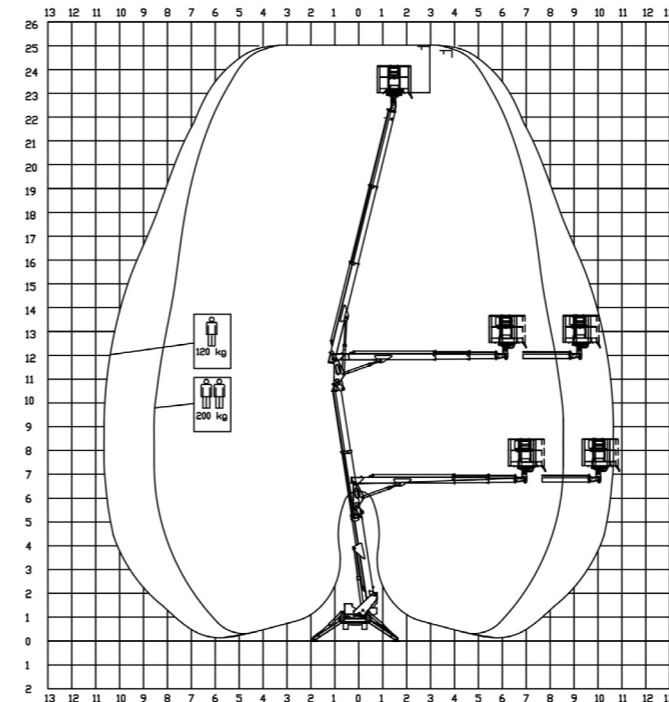




**25 m** ↑  
**10,6 m** →  
**200 Kg** 👤 👤



**BI-ENERGY**  
Diesel+AC



Model	Icon	Height	Width	Load	Rotation	Platform	Reach	Stability	Speed	Weight	Capacity	Capacity	Capacity		
<b>TZX 250/C</b>	🔋	25 m	10,6 m	200 kg	360°	140x70 cm	90°+90°	2,84-3,5 m	19%	23%	2,4 km/h	2660 kg	19,5 kN	2,05 kN/m <sup>2</sup>	3,71 kN/m <sup>2</sup>
<b>TZX 250/R</b>	🔋	25 m	10,6 m	200 kg	360°	140x70 cm	90°+90°	2,84-3,5 m	19%	21%	1,5 km/h	2660 kg	19,5 kN	2,05 kN/m <sup>2</sup>	3,71 kN/m <sup>2</sup>

Available version:

**BI-ENERGY (DIESEL+AC)**  
**ECO (DC+AC)**

Characteristics and technical data are informative only and subjected to change without notice.