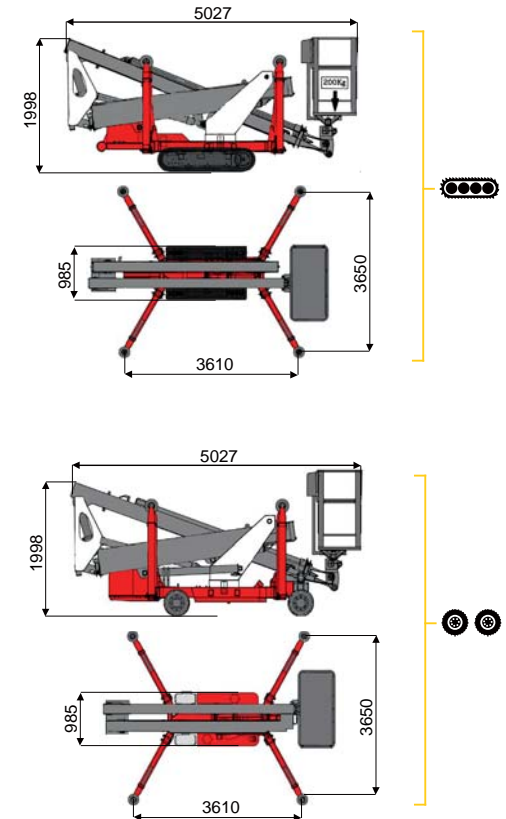
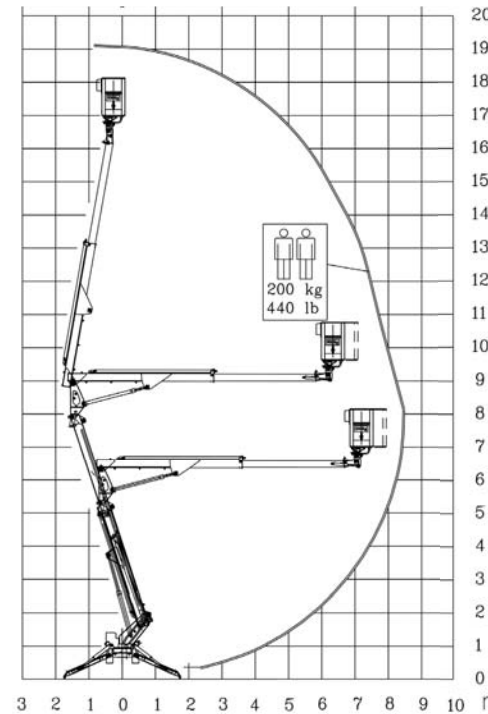




19 m ↑
8,5 m →
200 Kg 👤 👤



BI-ENERGY
Diesel+AC



TZX 190/C



19 m

8,5 m

200 kg

360°

140x70 cm

90°+90°

3,65 m

21%

23%

2,5 km/h

2300 kg

16 kN

1,75 kN/m²

3,27 kN/m²

TZX 190/R



19 m

8,5 m

200 kg

360°

140x70 cm

90°+90°

3,65 m

21%

21%

1 km/h

2300 kg

16 kN

1,75 kN/m²

3,27 kN/m²

Available version:

BI-ENERGY (DIESEL+AC)
ECO (DC+AC)

Characteristics and technical data are informative only and subjected to change without notice.



CE

EAC

Palazzani
INDUSTRIE

COMPANY WITH
QUALITY SYSTEM
CERTIFIED BY DNV GL
= ISO 9001 =

Palazzani Industrie S.p.A.
Via del Pavione, 4 - 25050 - Paderno F.C. (BS) - Italy
Tel. (+39) 0306857073
platforms@palazzani.it
www.palazzani.it