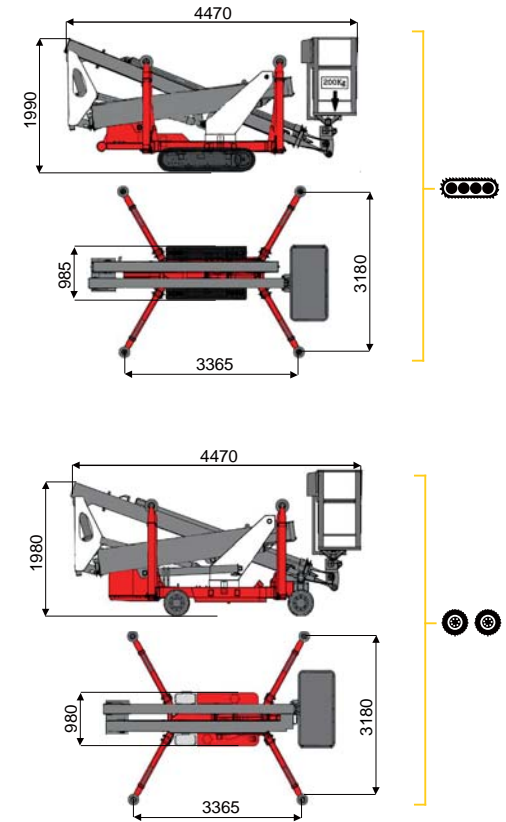
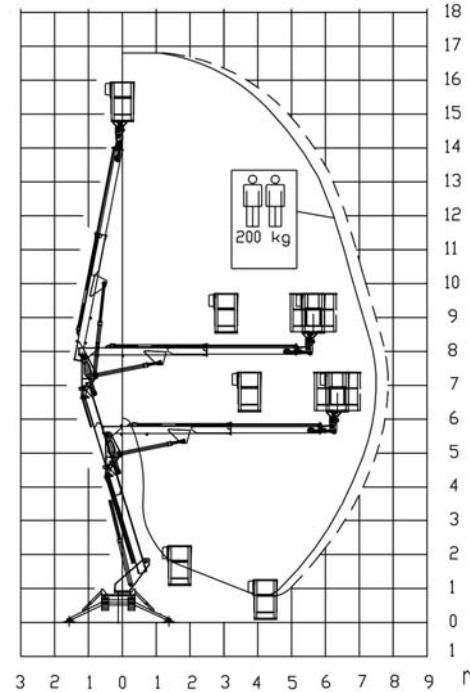




17 m ↑
7,8 m →
200 Kg 👤 👤



BI-ENERGY
Diesel+AC



TZX 170/C



17 m

7,8 m

200 kg

360°

140x70 cm

90°+90°

3,18 m

18%

31%

2,4 km/h

2000 kg

13 kN

1,87 kN/m²

3,2 kN/m²

TZX 170/R



17 m

7,8 m

200 kg

360°

140x70 cm

90°+90°

3,18 m

18%

25%

2 km/h

2000 kg

13 kN

1,87 kN/m²

3,2 kN/m²

Available version:

BI-ENERGY (DIESEL+AC)
ECO (DC+AC)

Characteristics and technical data are informative only and subjected to change without notice.