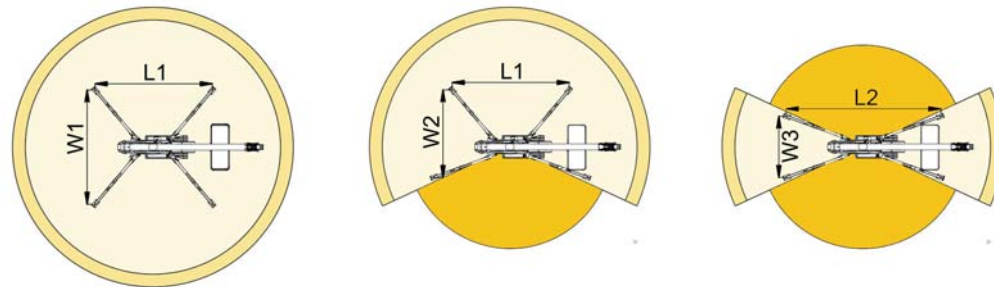
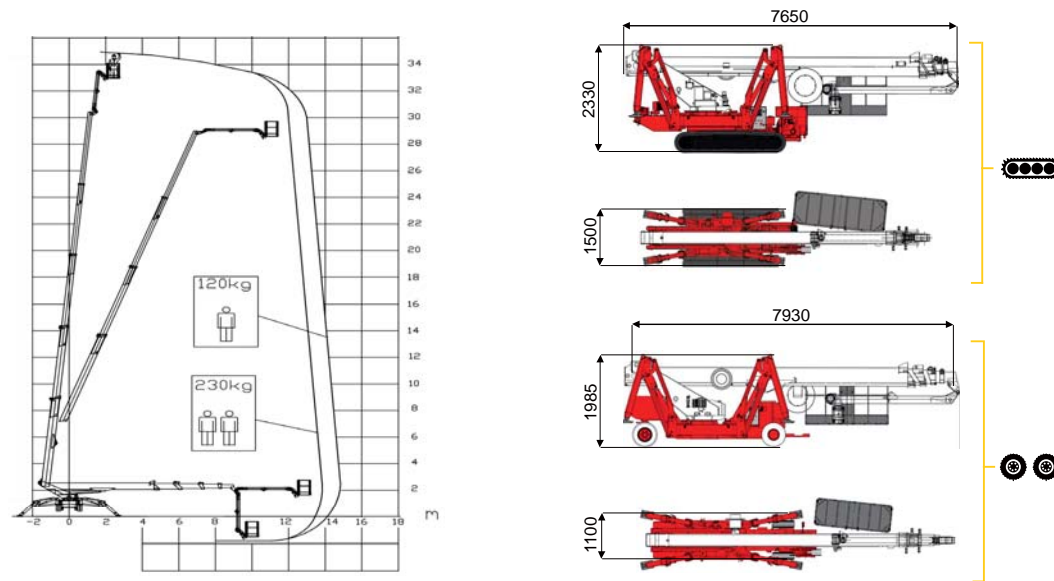




35 m ↑
15 m →
230 Kg 👤 👤



13,5 m	15 m	8 m	L1	L2	W1	W2	W3
230 kg	120 kg	120/230 kg	4980 mm	5930 mm	4200 mm	3476 mm	2740 mm

BI-ENERGY
Diesel+AC



TSJ 35/C	🔋	35 m	15 m	230 kg	170°	660°	180x70 cm	90°+80°	2,74-4,20 m	14%	49%	2,4 km/h	6600 kg	42 kN	3,16 kN/m ²	4,79 kN/m ²
TSJ 35/R	⊙ ⊙	35 m	14 m	230 kg	170°	660°	180x70 cm	90°+80°	2,74-4,20 m	31%	12%	1,2 km/h	6800 kg	42 kN	3,25 kN/m ²	4,76 kN/m ²

Available version:

- BI-ENERGY (DIESEL+AC)
- ECO (DC+AC)
- HYBRID (DIESEL+DC)

Characteristics and technical data are informative only and subjected to change without notice.