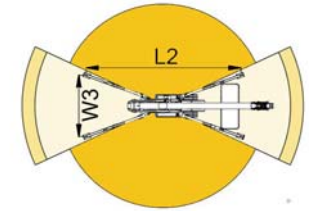
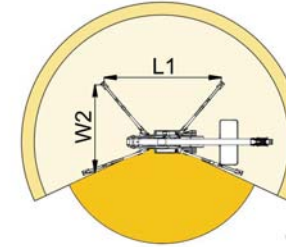
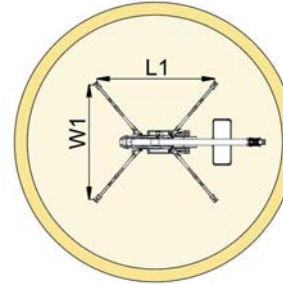
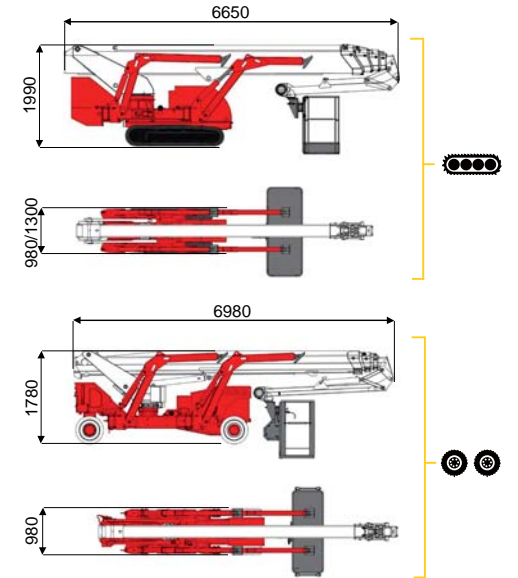
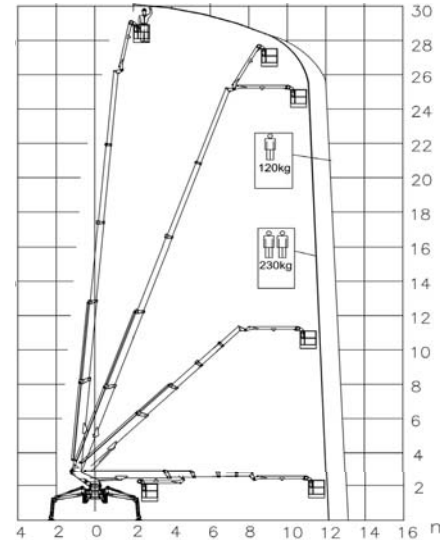


30 m ↑
13 m →
230 Kg 🧑🧑



12 m	13 m	8 m	L1	L2	W1	W2	W3
230 kg	120 kg	120/230 kg	4927 mm	6436 mm	4791 mm	3828 mm	2865 mm

BI-ENERGY
Diesel+AC



TSJ 30.1/C	🔋	30 m	13 m	230 kg	170°	660°	180x70 cm	90°+80°	2,87-4,79 m	44%	42%	1,2 km/h	4650 kg	29 kN	1,97 kN/m ²	3,88 kN/m ²
------------	---	------	------	--------	------	------	-----------	---------	-------------	-----	-----	----------	---------	-------	------------------------	------------------------

TSJ 30.1/R	⊙ ⊙	30 m	13 m	230 kg	170°	660°	180x70 cm	90°+80°	2,87-4,79 m	44%	29%	1,2 km/h	4840 kg	29 kN	2,05 kN/m ²	3,85 kN/m ²
------------	-----	------	------	--------	------	------	-----------	---------	-------------	-----	-----	----------	---------	-------	------------------------	------------------------

Available version:

BI-ENERGY (DIESEL+AC)
ECO (DC+AC)
HYBRID (DIESEL+DC)

Characteristics and technical data are informative only and subjected to change without notice.