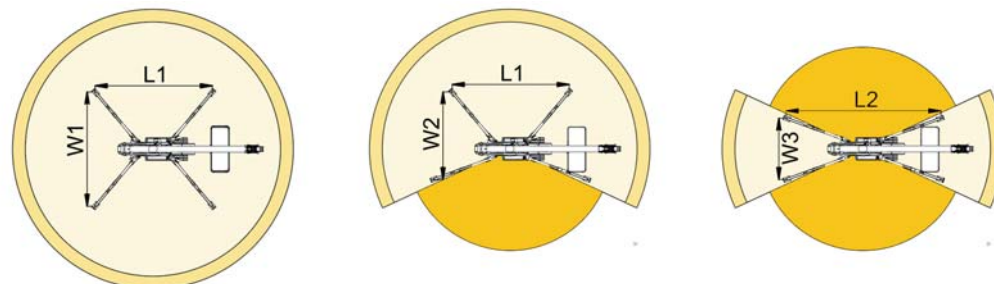
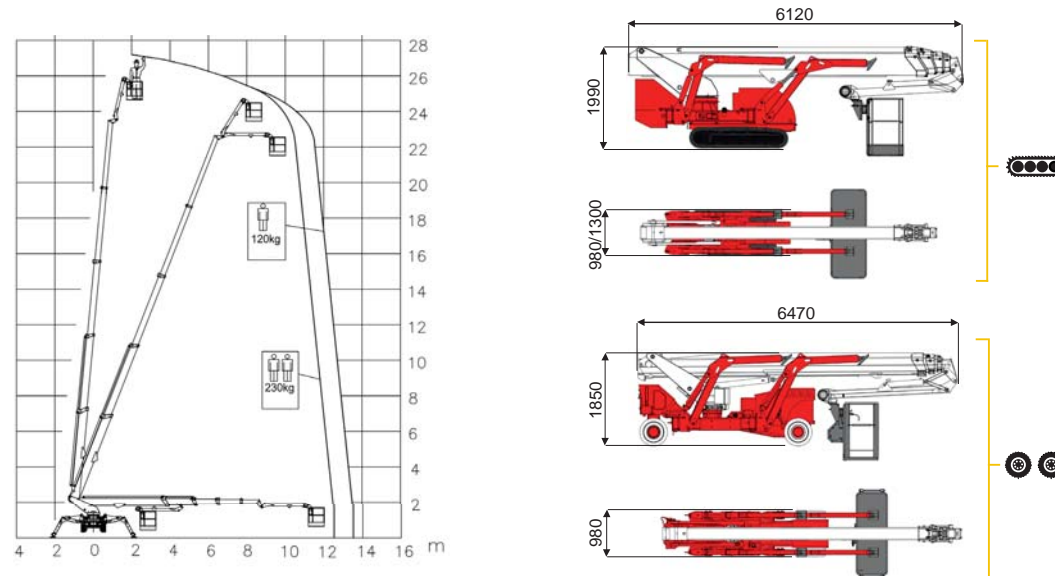




27 m ↑
13,5 m →
230 Kg 🧑🧑



12,5 m	13,5 m	7 m	L1	L2	W1	W2	W3
230 kg	120 kg	120/230 kg	4927 mm	6436 mm	4791 mm	3828 mm	2865 mm

BI-ENERGY
Diesel+AC



TSJ 27/C	🔋	27 m	13,5 m	230 kg	170°	660°	180x70 cm	90°+80°	2,87-4,79 m	44%	42%	1,2 km/h	4580 kg	29 kN	1,94 kN/m ²	4,16 kN/m ²
TSJ 27/R	🔋	27 m	13,5 m	230 kg	170°	660°	180x70 cm	90°+80°	2,87-4,79 m	44%	29%	1,7 km/h	4700 kg	29 kN	1,99 kN/m ²	3,94 kN/m ²

Available version:

- BI-ENERGY (DIESEL+AC)
- ECO (DC+AC)
- HYBRID (DIESEL+DC)

Characteristics and technical data are informative only and subjected to change without notice.