

OKTOPUS® PANEL-Jack KS-/KS-e Compact

for the installation of horizontal and vertical cladding panels



2-circuit system

for construction site use according to DIN EN 13155

Use

The OKTOPUS® PANEL-Jack KS-/KS-e Compact is suitable for horizontal and vertical installation of cladding panels.

Hoist

truck-mounted crane, top slewing crane, forklift (in connection with a forklift adapter)

Suspension

crane: adjustable crane eye on the vacuum unit
 forklift: forklift adapter

Equipment

- panel protecting plate

Options

- radio remote control (KS-e Compact)
- forklift adapter
- transport and storage box









Material to be handled

The suction areas of the elements to be lifted must be air-impermeable, have to have an even and clean surface and must not be covered with protective foil.

Description

Using the tried and tested Wirth 4-chamber rectangular suction pad transport and wall installation of almost every standard sandwich element with a smooth or slightly profiled surface is possible with the OKTOPUS® KS-/KS-e Compact.

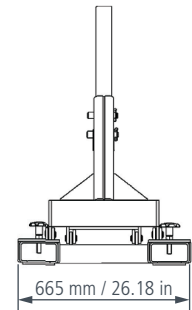
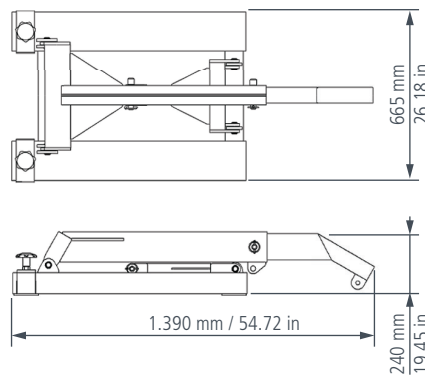
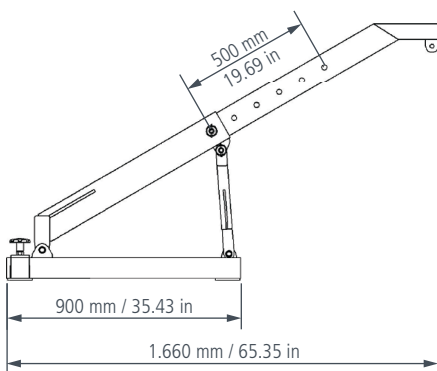
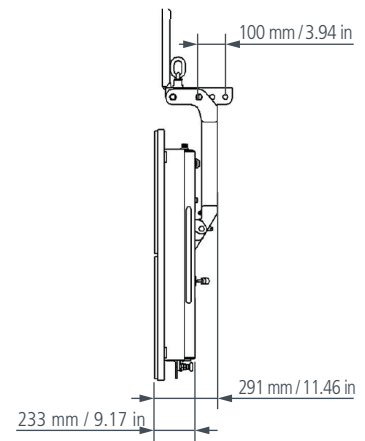
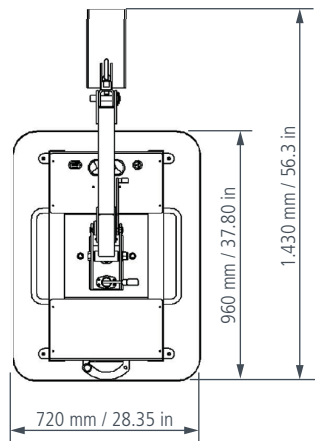
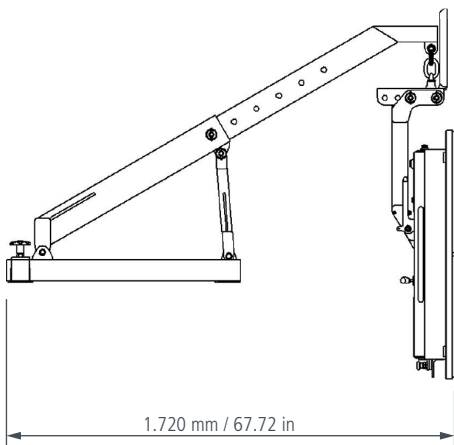
The electrically operated vacuum pumps are supplied with energy by a 24 V DC battery system. Optical and acoustic signalling devices inform about deviations from the target state. Even in the event of a total power failure, the vacuum in each suction cup is maintained for at least 5 minutes. This ensures that the load is set down safely at all times.

	Crane attachment
	Fork lift attachment
	Vertical wall installation
	Horizontal wall installation
	Tilt around horizontal axis
	Radio remote control
	Manual operation
	Battery



OKTOPUS® PANEL-Jack KS-/KS-e Compact

Application data	
Working Load Limit	400 kg
Weight	approx. 100 kg (without fork lift adapter) approx. 180 kg (with fork lift adapter)
Suction pads	Wirth 4-chamber rectangular suction pad 720 x 960 mm
Operation KS-Compact	manually on the device
Operation KS-e Compact:	radio remote control
Vacuum system	dual-circuit vacuum system for construction site use
Vacuum generation	electric vacuum pump
Nom. pres. pneumatic system	-0,65 bar up to -0,9 bar
Power supply	rechargeable battery, 24 V
Optional facilities	forklift adapter
Optional equipment	transport and storage box



Subject to change in the interest of technical progress.

DB75_12_Ausg.: 01/20

Headquarter

Wirth GmbH
Brehnaer Straße 1
D-06188 Landsberg

Phone: +49 (0) 34 602 / 70 88 - 0
Fax: +49 (0) 34 602 / 70 88 - 111

Branch Office South

Wirth GmbH
Nelkenstraße 11
D-88074 Meckenbeuren

Phone: +49 (0) 75 42 / 94 29 - 44
Fax: +49 (0) 75 42 / 94 29 - 46

E-Mail:

oktopus@wirth-gmbh.com
info@wirth-gmbh.com

www.wirth-gmbh.com

WIRTH GMBH
EDGE PROFILES & VACUUM LIFTING TECHNOLOGY



MITGLIED IM
IFBS