

Winlet
Lasius
1t



Pat. Pending

Lasius...?

Lasius is a Latin name for a species of ant. As we all know, ants are small, can get through the smallest passages with everything they can carry, and despite their size, are very strong. Winlet Lasius has the same characteristics - and hence the name.



SMALL & COMPACT >> SELF-PROPELLED >> IMPRESSIVE LIFTING CAPACITY >> NEW OPPORTUNITIES >> SATISFIED EMPLOYEES >> HIGHER EFFICIENCY

Winlet Lasius 1t opens up new opportunities for lifting, handling and carrying heavy objects. With a lifting capacity of no less than 1,000 kg it is ideal as a "Pick & Carry" crane in a wealth of different situations. As it can work in- and outdoors on a firm surface, making it ideal for construction and industry.

WWW.WINLET.DK

NEW OPPORTUNITIES - NEW SAVINGS

The Winlet Lasius range gives traditional crane and handling solutions tough competition. Unique performance means savings in time and invested capital.

Winlet Lasius 1t is ideal for:

- Erecting steel beams and other building elements
- Glass and façade installation
- Machine assembly
- Repair work
- Packing of non-palletized goods in containers

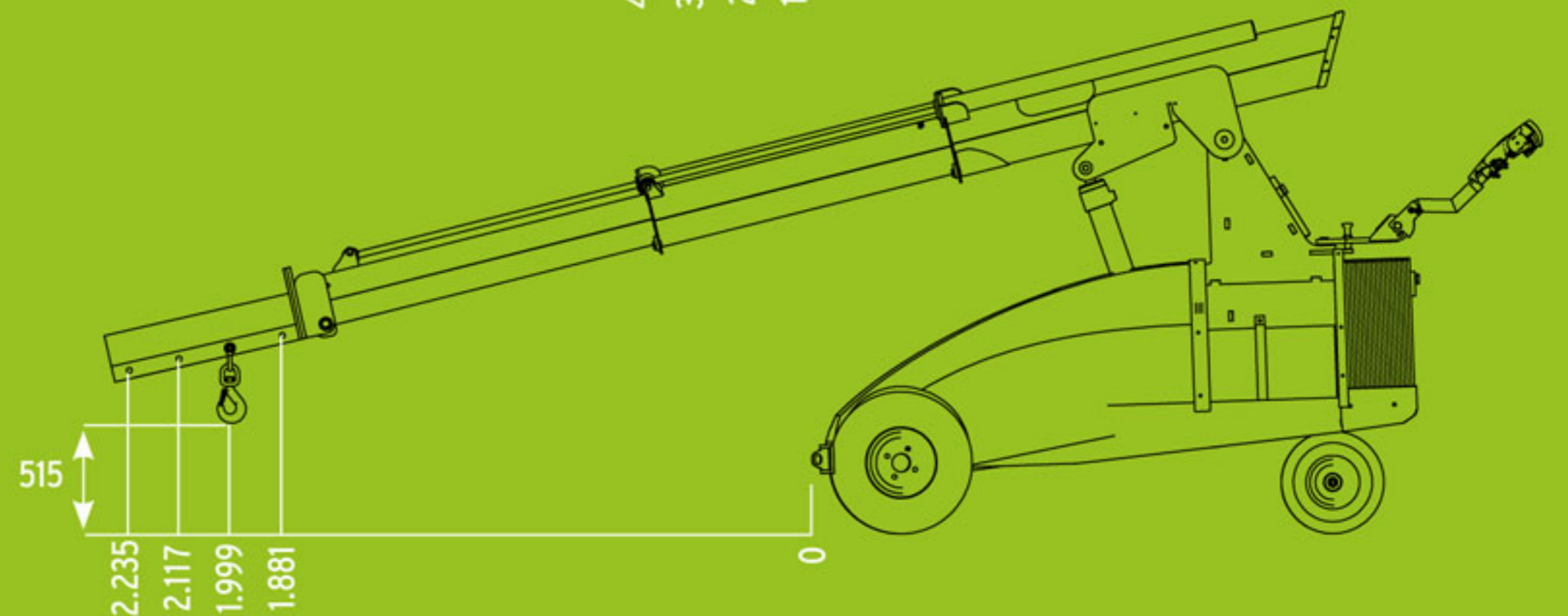
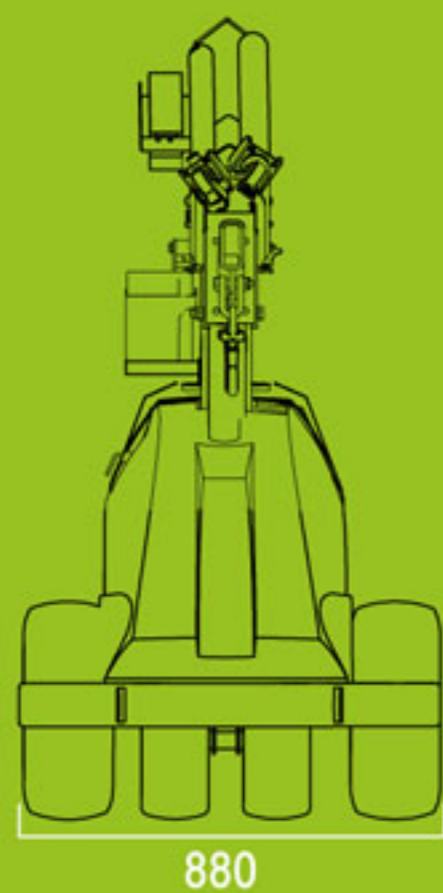
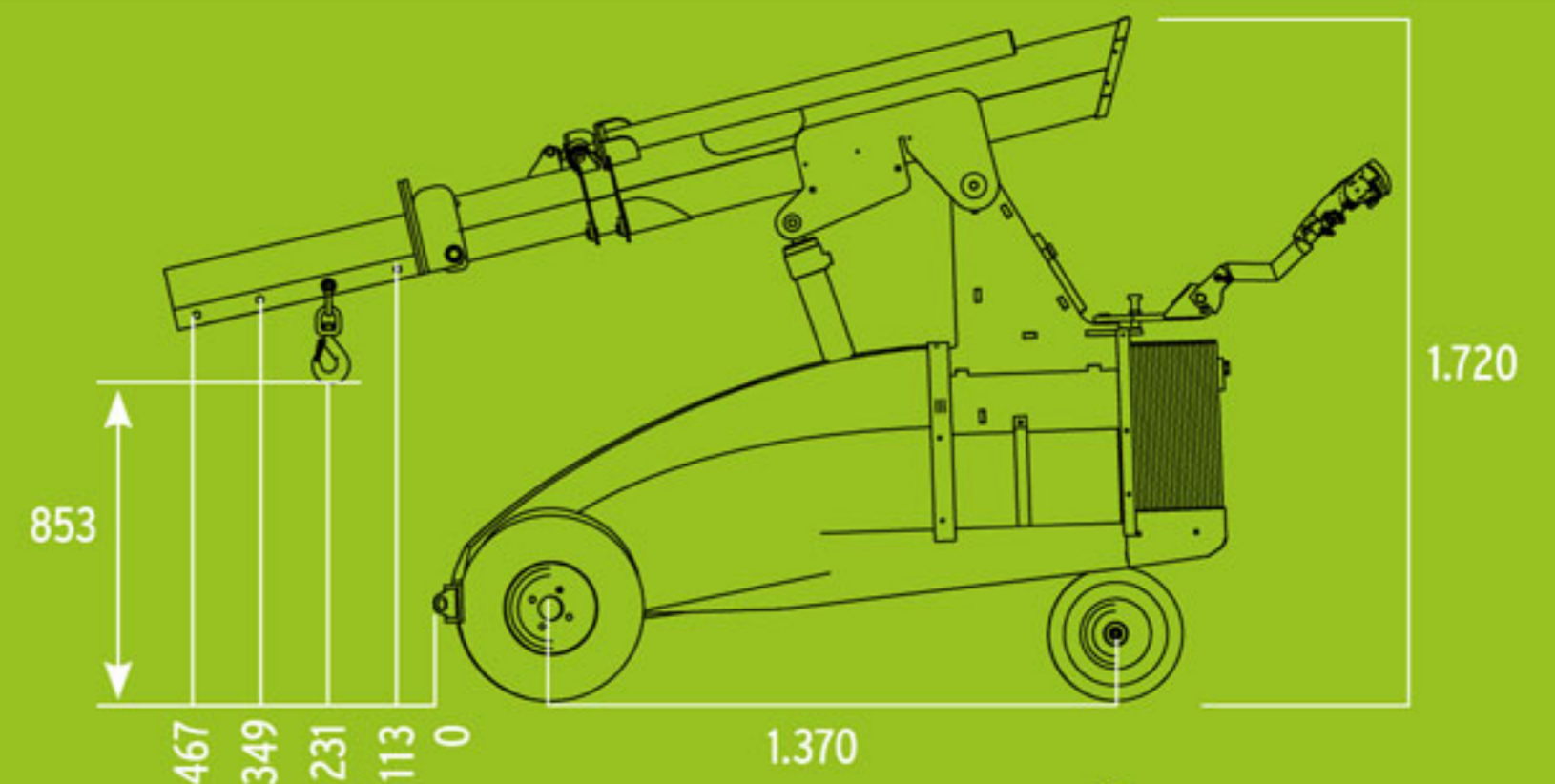
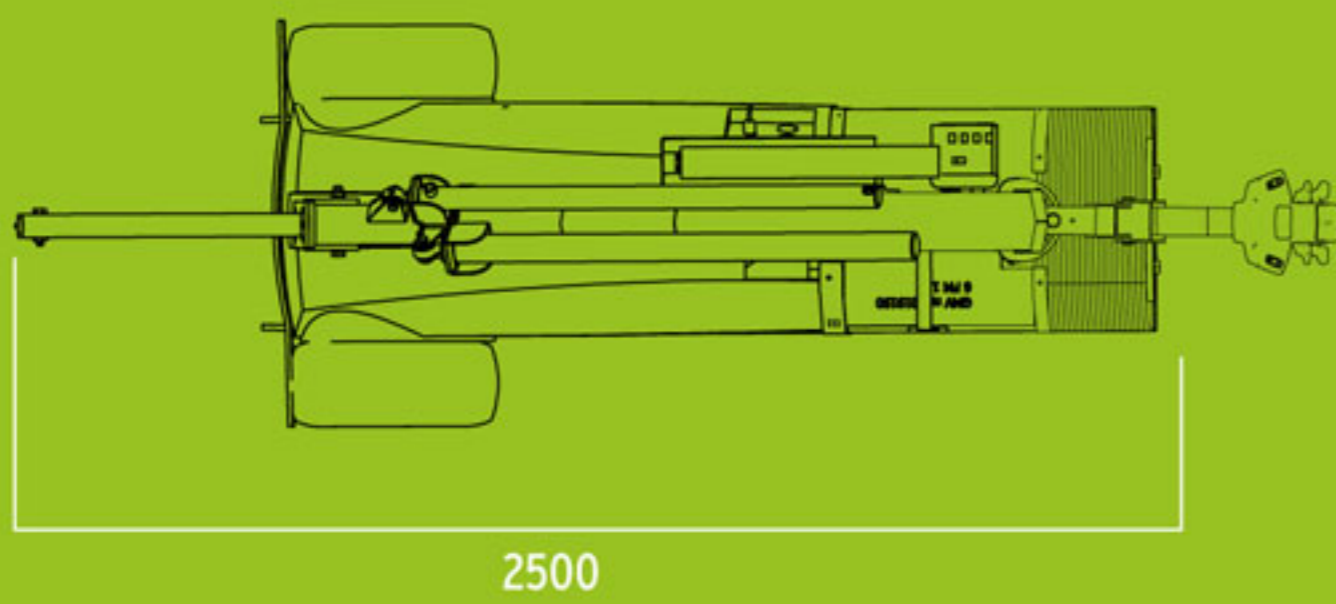
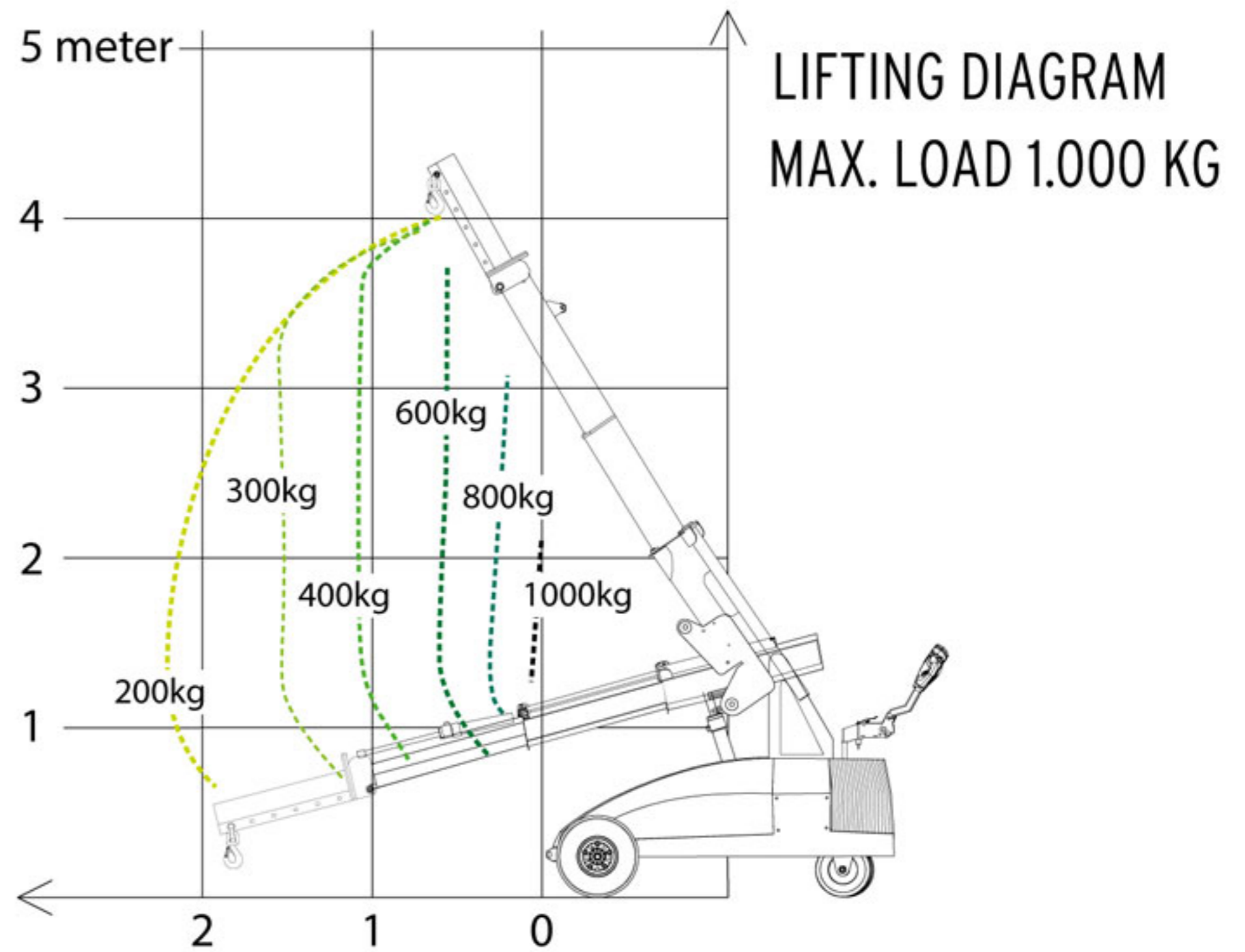


COMPACT DESIGN

Winlet Lasius 1t is ideal for contractors, installation specialists, industrial companies and on construction sites, where its compact and streamlined design really win points in comparison with other products on the market. The compact design makes it possible to reach where other heavier and bigger machines have to give up, due to their physical size, footprint, turning radius or low lifting capacity on the move.

Winlet Lasius 1t runs with a max. permitted speed of 4.2 kph - double that of mini cranes on tracks for example, and neither does it need to be levelled by outrigger legs like most mini cranes.

Because the Winlet Lasius 1t is battery-powered and therefore does not emit harmful exhaust gases, it can be used indoors with no environmental problems.



SPECIFICATIONS

EXTERNAL LENGTH	2.500 MM
EXTERNAL WIDTH	880 MM
MAX. LIFTING CAPACITY	1.000 KG
MAX. LIFTING HEIGHT	4.000 MM
TOTAL WEIGHT excl. counterweights	1.050 KG
TOTAL WEIGHT incl. counterweights	1.325 KG
BATTERIES	2 X 150 AH

ACCESSORIES



- TWIN WHEELS – for extra rough terrain
- SUPPORT WHEELS – for extra stability
- LIFTING SLING – for lifting the Winlet in crane hook
- RADIO REMOTE CONTROL

SUPERIOR USEABILITY



Multifunction control panel in operator friendly design with integrated push buttons and signal lights. Full monitoring of machine capacity limits for increased security.

KLUCZ SERWIS SP. Z O.O. - AUTORYZOWANY PARTNER HANDLOWY

www.lift24.pl

SPRZEDAŻ



Klucz Serwis Sp. z o.o.
Hoża 86/410, 00-682 Warszawa



BEZPIECZNIE



KOMPLEKSOWO



TERMINOWO

tel.: 533 369 098

tel.: 510 059 839

e-mail: handel@lift24.pl